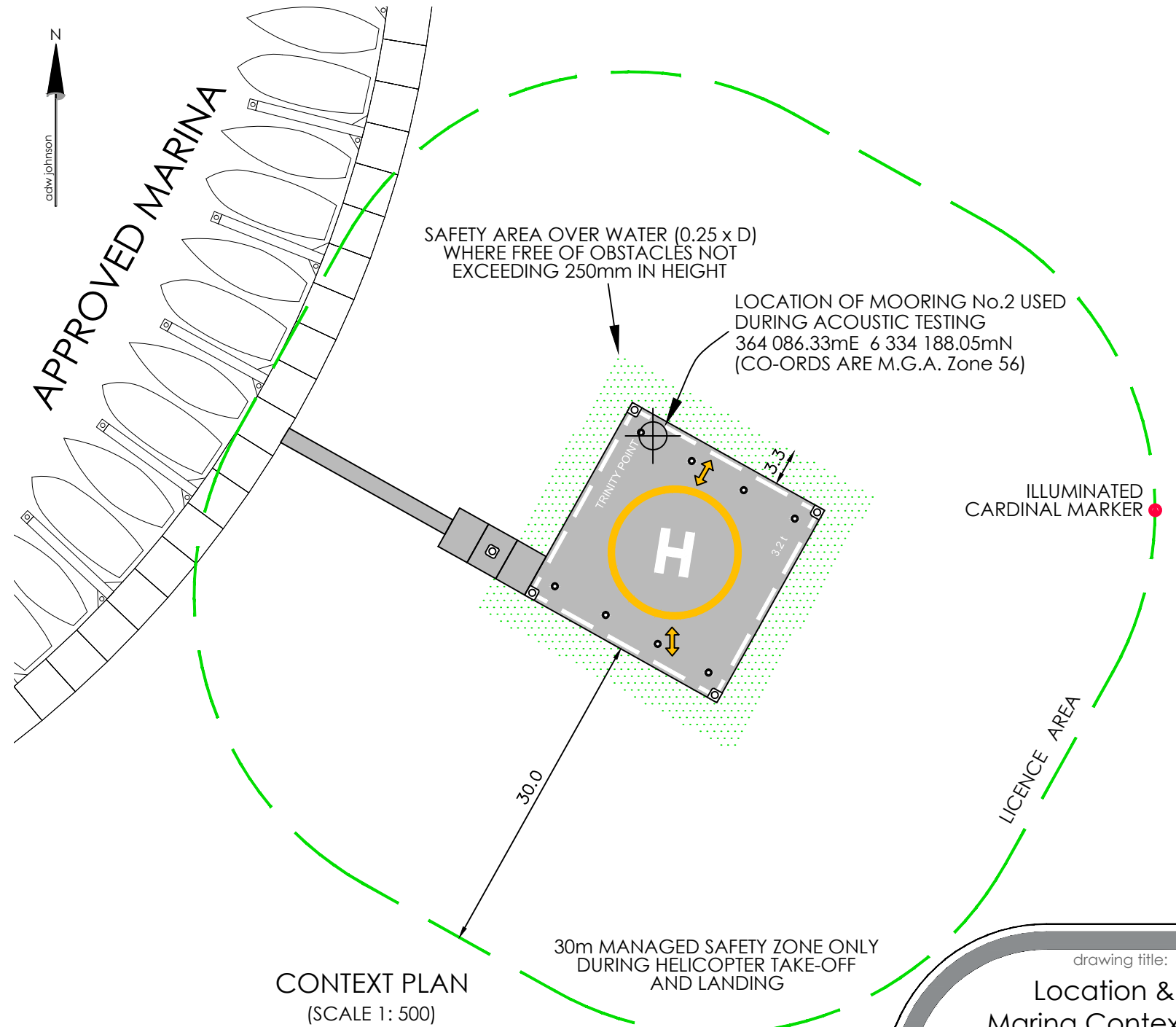




LOCALITY SKETCH
(SCALE 1: 10 000)



drawing title:
Location & Marina Context of Proposed Helipad

location: Trinity Point Marina
council: LAKE MACQUARIE
dwg ref: 37429(4)-DA-001-G

client:

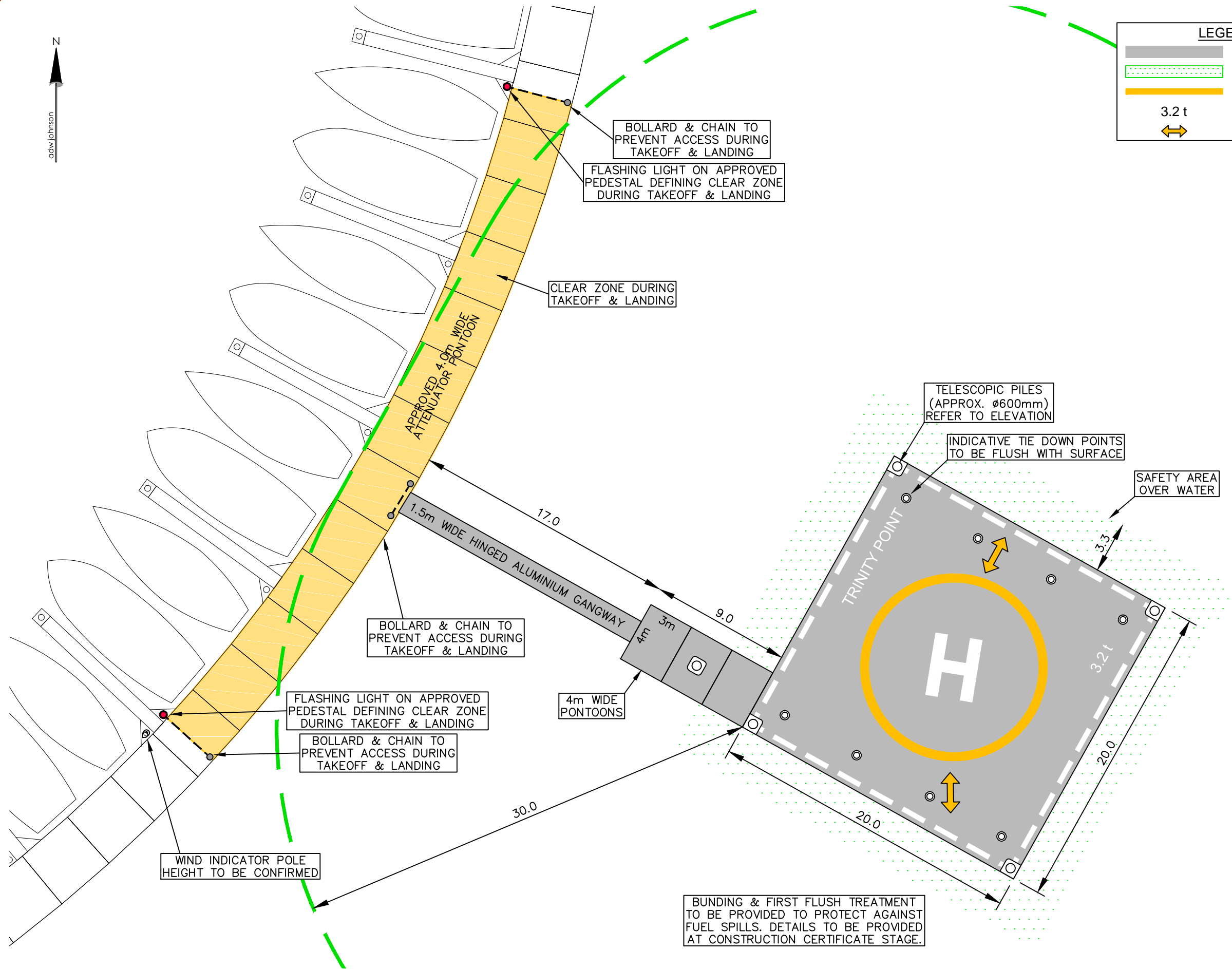
JOHNSON PROPERTY GROUP

central coast office ph: (02) 4305 4300
hunter office ph: (02) 4978 5100

ver.	date	comment	surveyed	drawn	checked	pm	co-ordinate & level information	scale (A3 original size)	page
D	24.08.16	UPDATE HELIPAD DESIGN	-	Z.J.	M.D.	S.H.	CO-ORDINATE SYSTEM: M.G.A. 56	 SCALE: 1:500 (FULL)	1 OF 3
E	25.08.16	UPDATE HELIPAD DESIGN	-	Z.J.	M.R.	S.H.	ORIGIN OF CO-ORDINATES: P.M.58712		
F	29.08.16	REVISE LAYOUT	-	Z.J.	M.R.	S.H.	DATUM: N/A		
G	12.09.16	UPDATE CARDINAL MARKER LOCATION	-	Z.J.	M.R.	S.H.	ORIGIN OF LEVELS: N/A		
							CONTOUR INTERVAL: N/A		



LEGEND	
	F.A.T.O. (1.5 x D)
	SAFETY AREA (0.25 x D)
	T.L.O.F. (0.83 x D)
	STATIC LOAD
	APPROACH / DEPARTURE MARKINGS




drawing title:
**Detail Concept Plan
of Proposed Helipad**

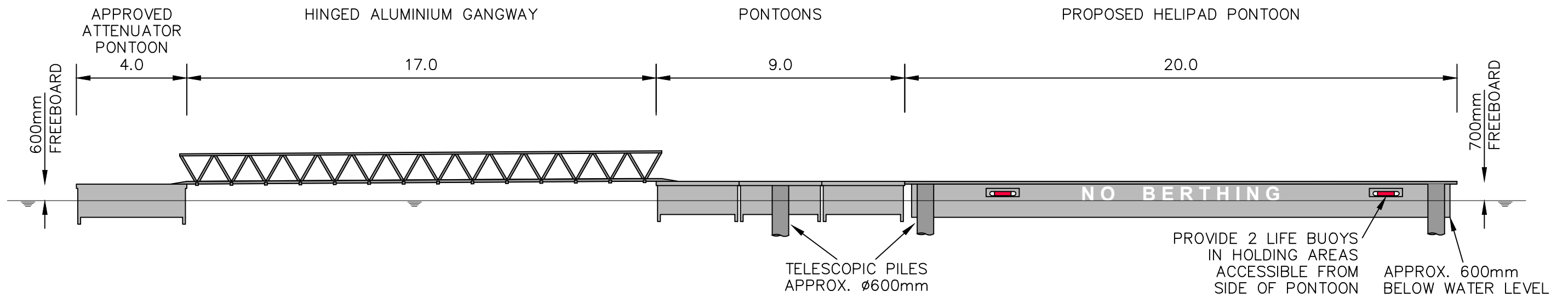
location: Trinity Point Marina
council: LAKE MACQUARIE
dwg ref: 37429(4)-DA-001-G

client:




central coast office ph: (02) 4305 4300
hunter office ph: (02) 4978 5100

ver.	date	comment	surveyed	drawn	checked	pm	co-ordinate & level information	scale (A3 original size)	page
D	24.08.16	UPDATE HELIPAD DESIGN	-	Z.J.	M.D.	S.H.	CO-ORDINATE SYSTEM: M.G.A. 56	 SCALE: 1:250 (FULL)	2 OF 3
E	25.08.16	UPDATE HELIPAD DESIGN	-	Z.J.	M.R.	S.H.	ORIGIN OF CO-ORDINATES: P.M.58712		
F	29.08.16	REVISE LAYOUT	-	Z.J.	M.R.	S.H.	DATUM: N/A		
G	12.09.16	UPDATE CARDINAL MARKER LOCATION	-	Z.J.	M.R.	S.H.	ORIGIN OF LEVELS: N/A		
			-	Z.J.	M.R.	S.H.	CONTOUR INTERVAL: N/A		



drawing title:

Typical Concept Elevation of Proposed Helipad

location: Trinity Point Marina

council: LAKE MACQUARIE

dwg ref: 37429(4)-DA-001-G

client:



central coast office ph: (02) 4305 4300
 hunter office ph: (02) 4978 5100

ver.	date	comment	surveyed	drawn	checked	pm	co-ordinate & level information	scale (A3 original size)	page
D	24.08.16	UPDATE HELIPAD DESIGN	-	Z.J.	M.D.	S.H.	CO-ORDINATE SYSTEM: M.G.A. 56		3 OF 3
E	25.08.16	UPDATE HELIPAD DESIGN	-	Z.J.	M.R.	S.H.	ORIGIN OF CO-ORDINATES: P.M.58712		
F	29.08.16	REVISE LAYOUT	-	Z.J.	M.R.	S.H.	DATUM: N/A		
G	12.09.16	UPDATE CARDINAL MARKER LOCATION	-	Z.J.	M.R.	S.H.	ORIGIN OF LEVELS: N/A		
							CONTOUR INTERVAL: N/A		